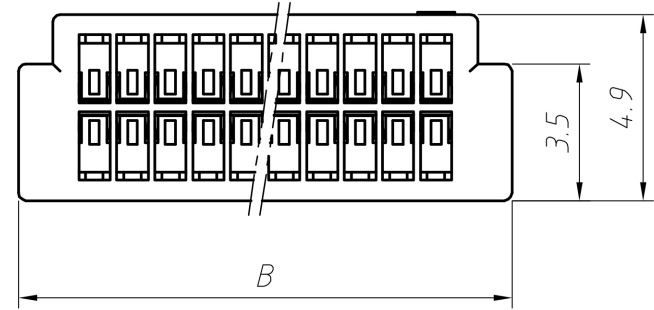
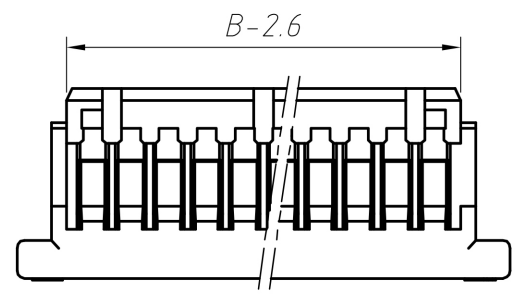
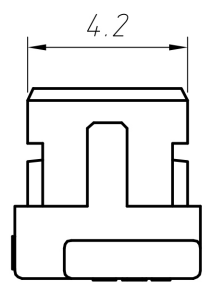
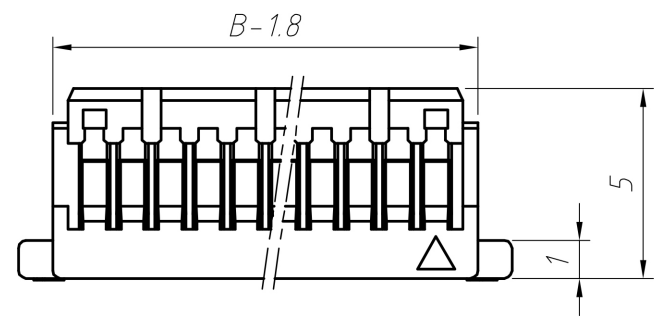
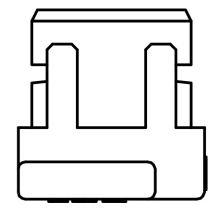
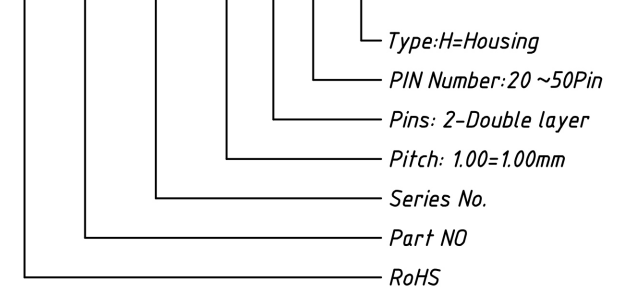


Circuit	Dimensions(mm)	
	A	B
20	9.0	13.0
30	14.0	18.0
40	19.0	23.0
50	24.0	28.0



Order Information

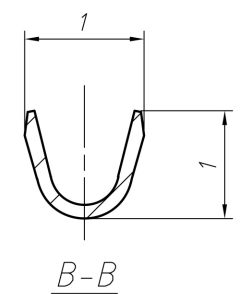
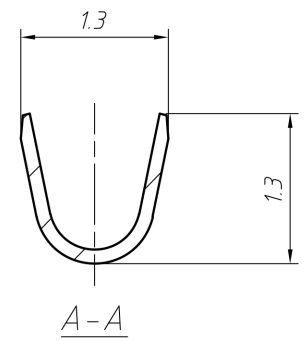
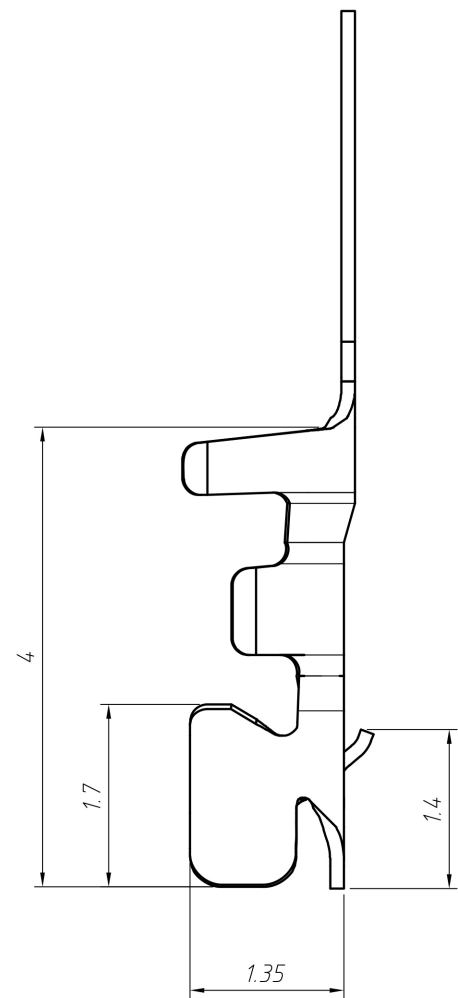
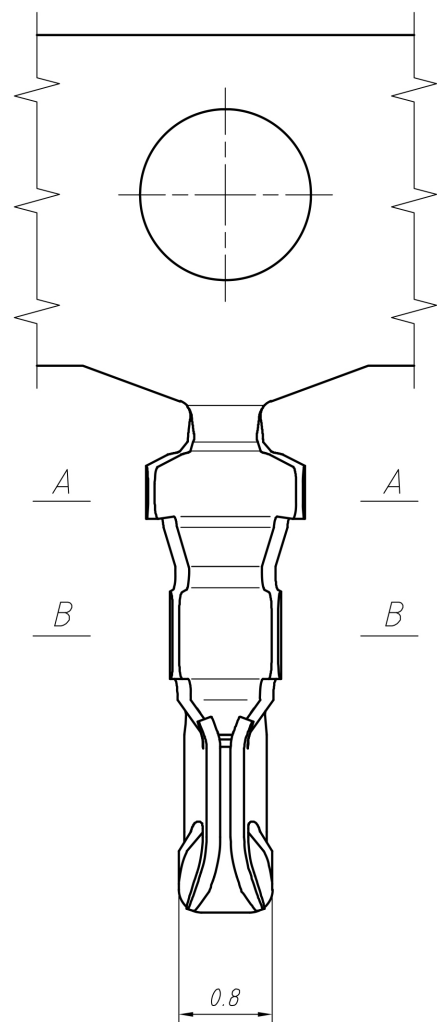
L-ETC1-XF1-1.00-2-XX-H



- Electrical Characteristics:**
- 1.Poles:20 to 50P
  - 2.Current rating: 1.0A
  - 3.Voltage rating: 50V
  - 4.Temperature range: -25°C to +85°C
  - 5.Contact resistance: ≤20mΩ
  - 6.Insulation resistance: ≥100MΩ
  - 7.Withstand voltage: 500V AC/minute
  - 8.Applicable wire: AWG #32 to #28

**Material:**  
Housing:PBT(UL 94 V-0/V-2),White

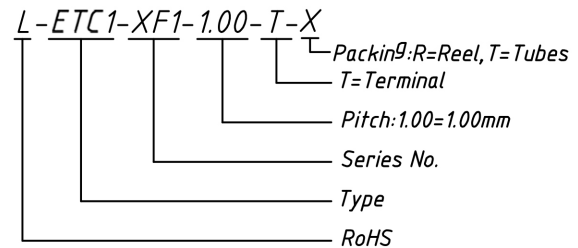
GENERAL TOLERANCE	PROJECTION		Description:
.X ±0.50	UNITS	mm	1.00mm Type Wire To Board Connector
.X ±0.25	SCALE	1:1	
.XX ±0.10	Draw by:	Jenny	ETC P/N: L-ETC1-XF1-1.00-2-XX-H
ANGLE TOLERANCE	Check by:		ETC ELECTRONICS CO., LTD.
.X ±5°	Date	2018-03-01	
.X ±3°	SHEET	1 OF 1	



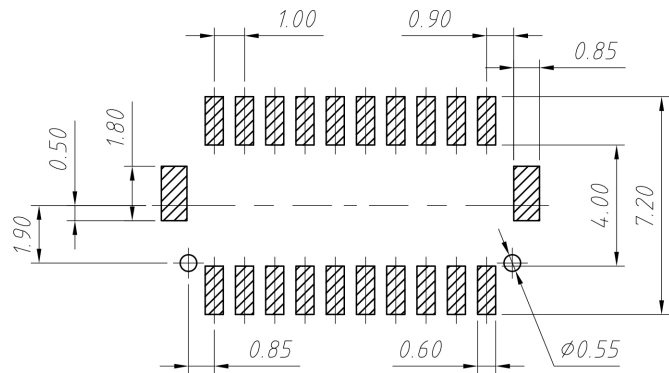
**Material:**  
 Terminal: Phos Bronze,  
 Tin plating, 15000PCB/Roll

- Electrical Characteristics:**
1. Poles: 2 to 30P
  2. Current rating: 1.0A
  3. Voltage rating: 50V
  4. Temperature range: -25°C to +85°C
  5. Contact resistance:  $\leq 20m\Omega$
  6. Insulation resistance:  $\geq 100M\Omega$
  7. Withstand voltage: 500V AC/minute
  8. Applicable wire: AWG #32 to #28

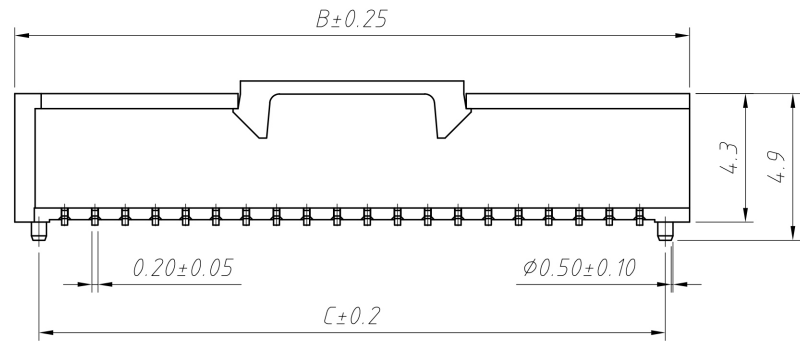
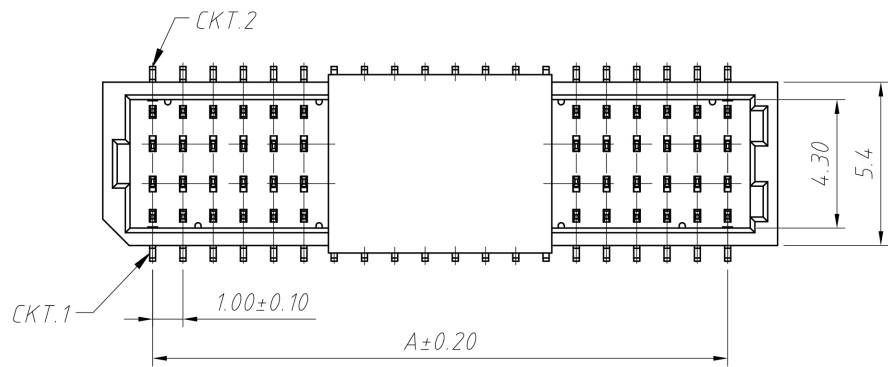
**Order Information**



GENERAL TOLERANCE	PROJECTION		Description:
X. $\pm 0.50$	UNITS	mm	1.00mm Type Wire To Board Connector
.X $\pm 0.25$	SCALE	1:1	
.XX $\pm 0.10$	Draw by:	Jenny	
ANGLE TOLERANCE	Check by:		ETC P/N: L-ETC1-XF1-1.00-T
X. $\pm 5^\circ$	Date	2018-03-01	<b>ETC ELECTRONICS CO., LTD.</b>
.X $\pm 3^\circ$	SHEET	1 OF 1	
.XX $\pm 2^\circ$			



Recommend PCB Layout  
All Tolerance:  $\pm 0.1$



Part NO.	Dimensions		
	A	B	B
05P	4.00	7.30	5.70
06P	5.00	8.30	6.70
08P	7.00	10.30	8.70
10P	9.00	12.30	10.70
15P	14.00	17.30	15.70
20P	19.00	22.30	20.70
25P	24.00	27.30	25.70

**Material:**

Insulator: PA6R UL94V-0, Beige

Contacts: Copper alloy

Fitting nail: Copper alloy

Plating: Gold Plated

**Electrical Specification:**

Current rating: 1A AC DC

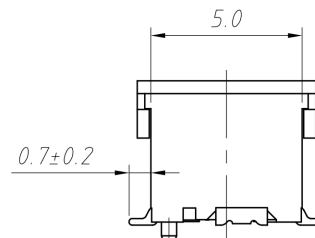
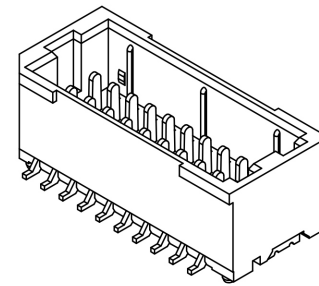
Voltage rating: 50V AC DC

Contact resistance: 20m $\Omega$  Max

Insulation resistance: 100M $\Omega$  Min

Withstanding Voltage: 500V AC/minute

Temperature range: -25 $^{\circ}$ C ~ +85 $^{\circ}$ C



**Order Information**

L-ETC1-XF1-1.00-2-XX-VM-X-X

RoHS

Pitch: 1.00mm

2=Double layer

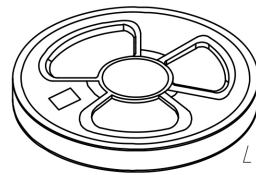
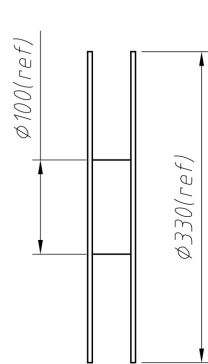
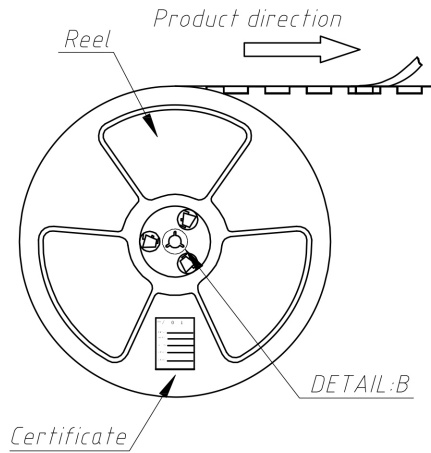
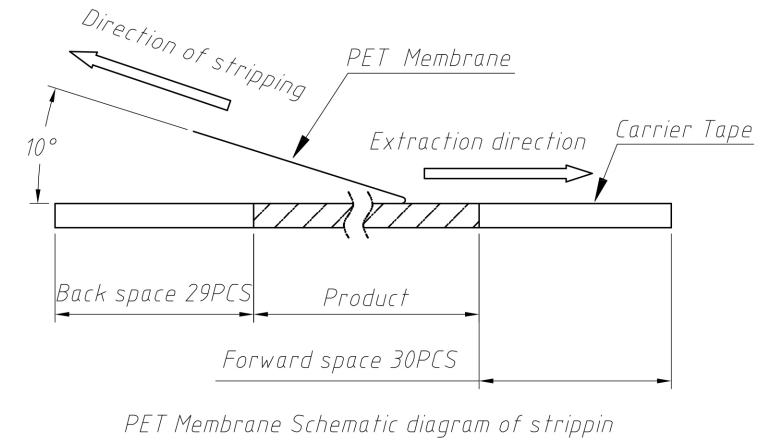
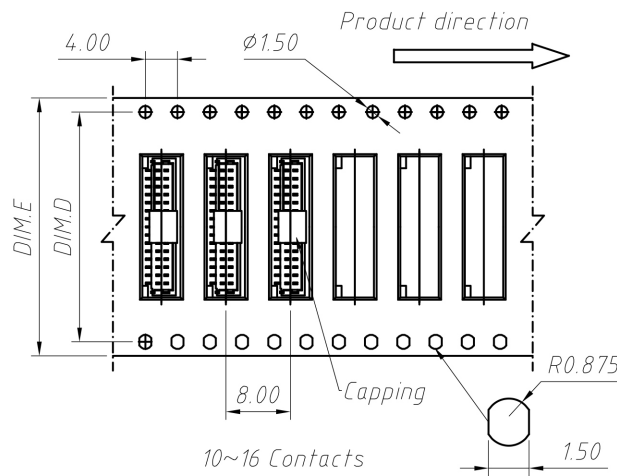
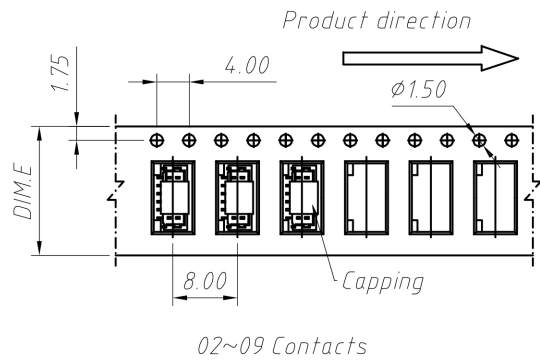
Pin NO: 05~25

SMT Straight Male pin

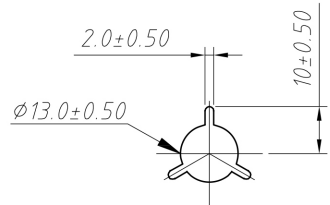
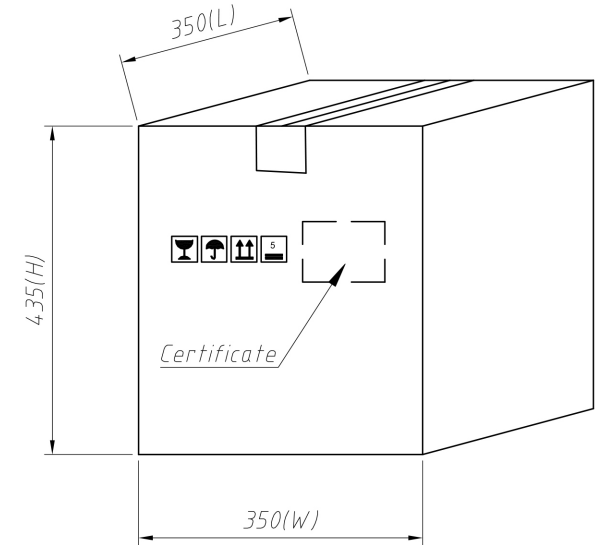
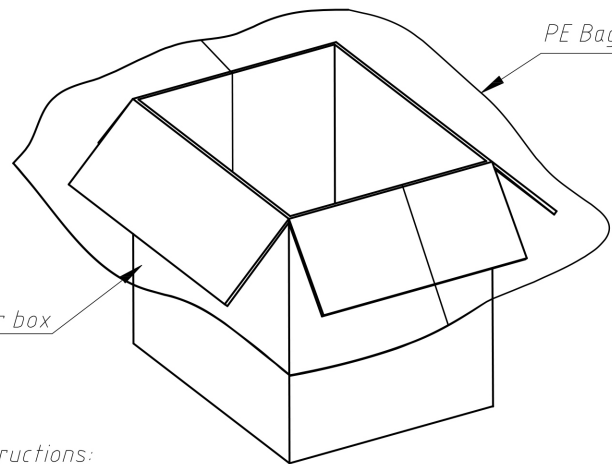
A= With post, B=Without Post

Packing: R=Reel T=Tubes

GENERAL TOLERANCE	PROJECTION		Description:
X. $\pm 0.30$	UNITS	mm	Pitch 1.00mm
.X $\pm 0.20$	SCALE	1:1	Vertical SMT Wafer, Double layer
.XX $\pm 0.10$	Draw by:	Jenny	ETC P/N: L-ETC1-XF1-1.00-2-XX-VM
ANGLE TOLERANCE	Check by:		
X. $\pm 5^{\circ}$	Date	2018-03-01	
.X $\pm 3^{\circ}$	SHEET	1 OF 1	
.XX $\pm 2^{\circ}$			



Loading x Disk (Reference List 1)



DETAIL:B

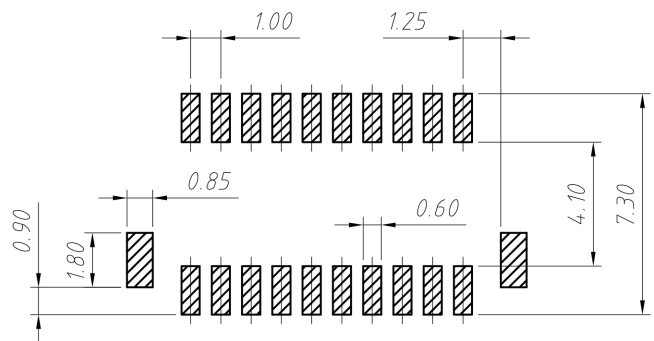
Packaging instructions:  
Pack the finished products into reels, each with 1500 PCS.

The product will be packed by pasting a certificate on the reel.  
The reel is put into the outer box, and the outer box is fitted with one first.

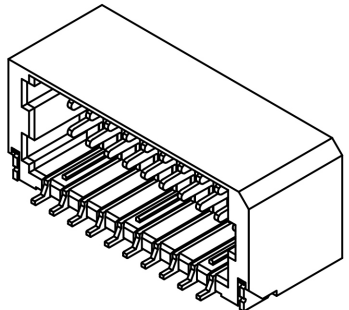
Large PE bags with qualified certificates affixed on the outer case.

Circuits	DIM.D	DIM.E	Q'ty/Reel	Packing Reel/Carton
02-05 PIN	--	16	1500 PCS	20/Reel
06-14 PIN	--	24	1500 PCS	15/Reel
15-18 PIN	28.4	32	1500 PCS	11/Reel

GENERAL TOLERANCE	PROJECTION		Description:
.X ±0.30	UNITS	mm	Packaging Specification Pitch 1.00mm Vertical SMT
.X ±0.20	SCALE	1:1	
.XX ±0.10	Draw by:	Jenny	
ANGLE TOLERANCE	Check by:		ETC P/N: L-ETC1-XF1-1.00-1-XX-VM
.X ±5°	Date	2018-03-01	ETC ELECTRONICS CO., LTD.
.X ±3°	SHEET	1 OF 1	
.XX ±2°			

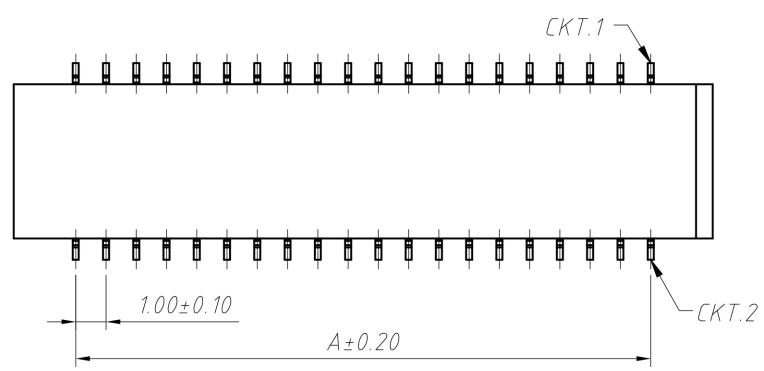


Recommend PCB Layout  
All Tolerance: ±0.1



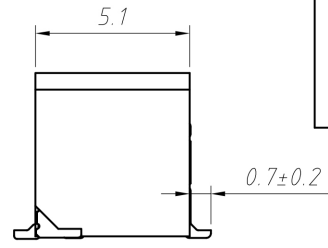
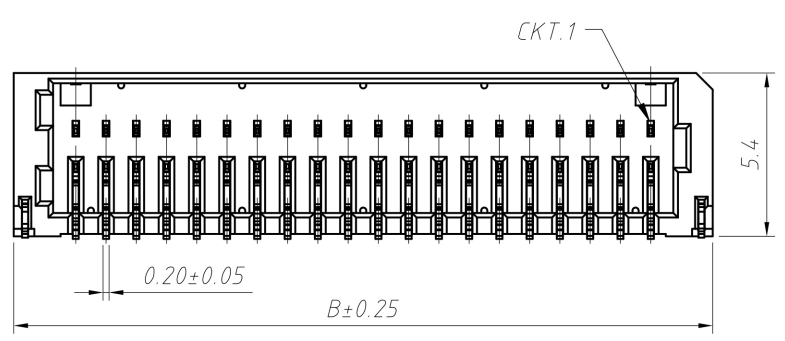
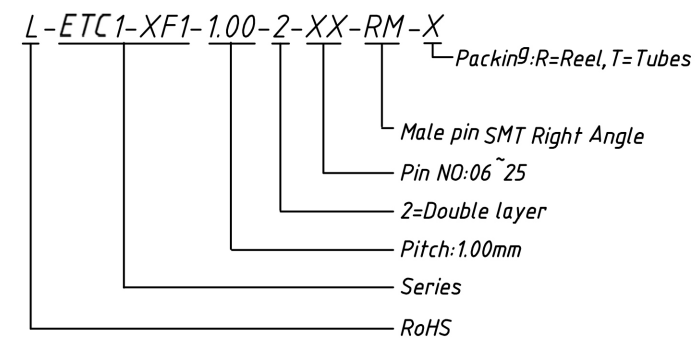
Material:  
Insulator: PA6R UL94V-0, Beige  
Contacts: Copper alloy  
Fitting nail: Copper alloy  
Plating: Gold Plated

Electrical Specification:  
Current rating: 1A AC DC  
Voltage rating: 50V AC DC  
Contact resistance: 20mΩ Max  
Insulation resistance: 100MΩ Min  
Withstanding Voltage: 500V AC/minute  
Temperature range: -25°C ~ +85°C

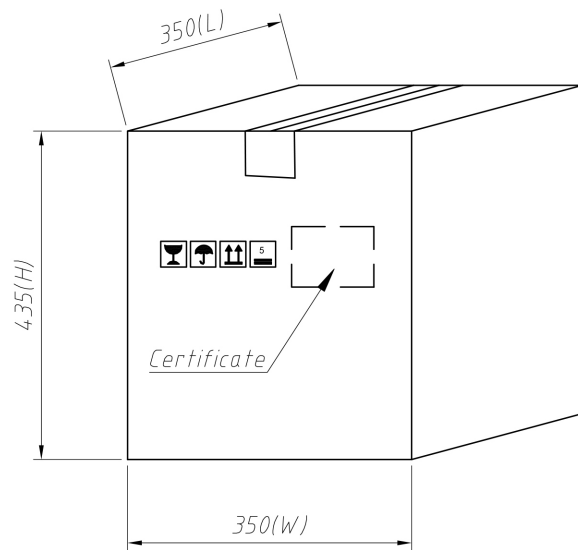
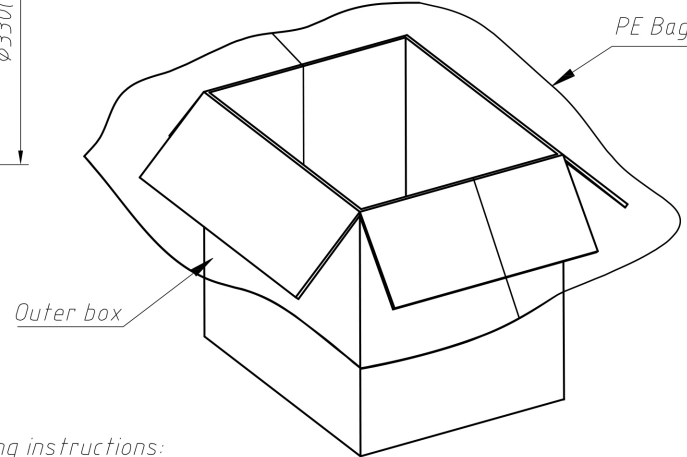
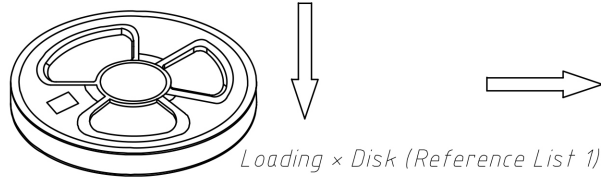
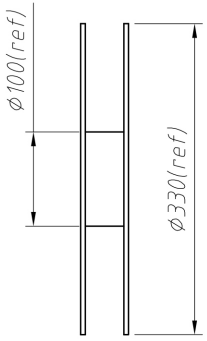
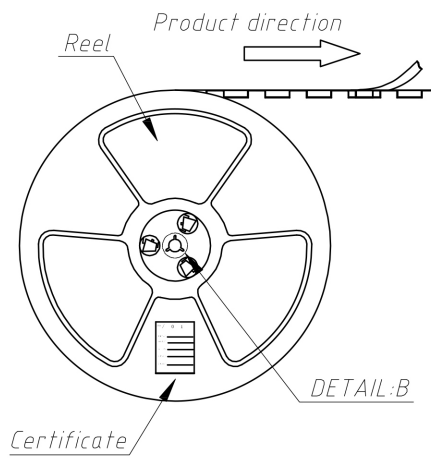
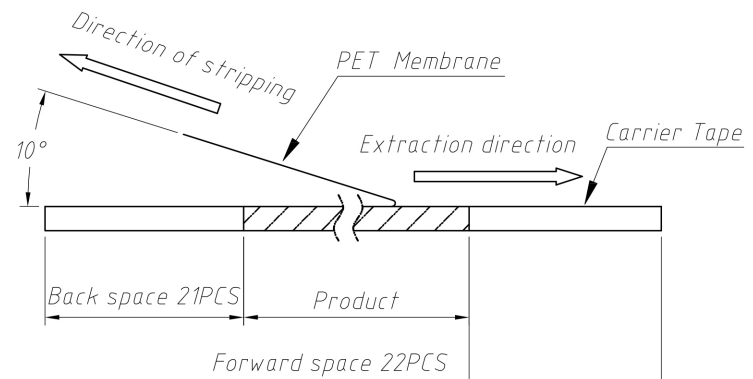
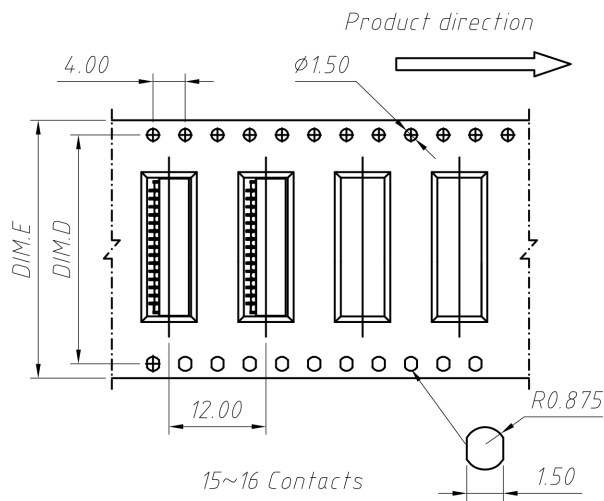
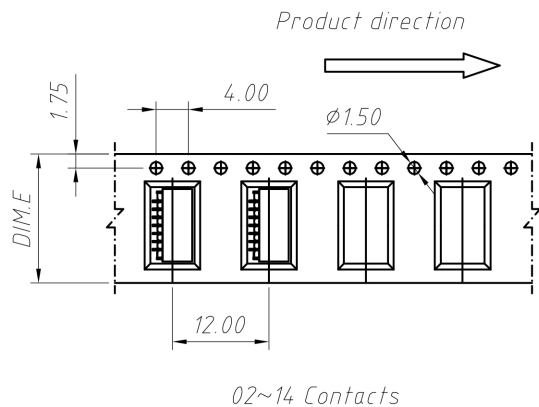


Part NO.	Dimensions	
	A	B
06P	5.00	9.10
08P	7.00	11.10
10P	9.00	13.10
15P	14.00	18.10
20P	19.00	23.10
25P	24.00	28.10

Order Information



GENERAL TOLERANCE	PROJECTION		Description:
X. ±0.30	UNITS	mm	Pitch 1.00mm Horizontal SMT Wafer, Double layer
.X ±0.20	SCALE	1:1	
.XX ±0.10	Draw by:	Jenny	ETC P/N: L-ETC1-XF1-1.00-2-XX-RM
ANGLE TOLERANCE	Check by:		ETC ELECTRONICS CO., LTD.
X. ±5°	Date	2018-03-01	
.X ±3°	SHEET	1 OF 1	
.XX ±2°			



**Packaging instructions:**  
 Pack the finished products into reels, each with 1500 PCS.  
 The product will be packed by pasting a certificate on the reel.  
 The reel is put into the outer box, and the outer box is fitted with one first.  
 Large PE bags with qualified certificates affixed on the outer case.

Circuits	DIM.D	DIM.E	Q'ty/Reel	Packing Reel/Carton
02 PIN	--	12	2000 PCS	25/Reel
03-06 PIN	--	16	1500 PCS	20/Reel
07-14 PIN	--	24	1500 PCS	15/Reel
15-18 PIN	28.4	32	1500 PCS	11/Reel

GENERAL TOLERANCE	PROJECTION		Description:
.X ±0.30	UNITS	mm	Packaging Specification Ptich 1.00mm Horizontal SMT
.X ±0.20	SCALE	1:1	
.XX ±0.10	Draw by:	Jenny	
ANGLE TOLERANCE	Check by:		ETC P/N: L-ETC1-XF1-1.00-1-XX-RM
.X ±5°	Date	2018-03-01	ETC ELECTRONICS CO., LTD.
.X ±3°	SHEET	1 OF 1	
.XX ±2°			